



ELECTROSWITCH

UNIT OF ELECTRO SWITCH CORP.
WEYMOUTH MASSACHUSETTS 02188

TEL:(781)335-5200 FAX:(781)335-4253

**SERIES 25
CONTROL SWITCH**

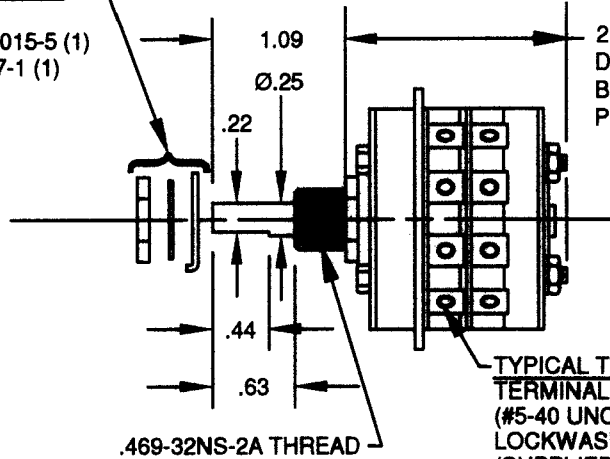
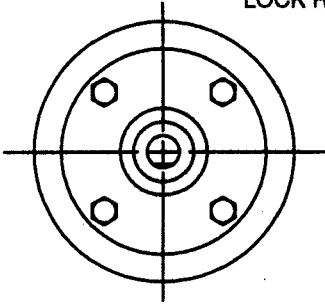
SWITCH NUMBER **25302MP**

ENGRAVING CODE _____

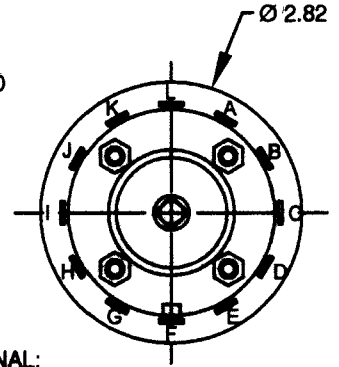
REV **B**

MOUNTING HARDWARE

- NUT 02017-4 (2)
- LOCKWASHER 02015-5 (1)
- LOCK RING 03007-1 (1)



2.31
DEPTH
BEHIND
PANEL



TYPICAL TERMINAL:
TERMINAL SCREW 02016-1-C3
(#5-40 UNC-2A X .19 LONG
LOCKWASHER 02015-1-C3
(SUPPLIED ASSEMBLED)

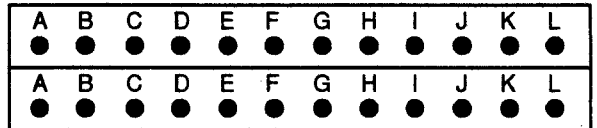
ACTION: MAINTAINED

TITLE ENGRAVING:

POSITION ENGRAVING

SPECIAL FEATURES:

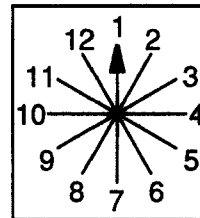
- SUPPLIED WITH TERMINAL HARDWARE ASSEMBLED.
- LESS HANDLE.



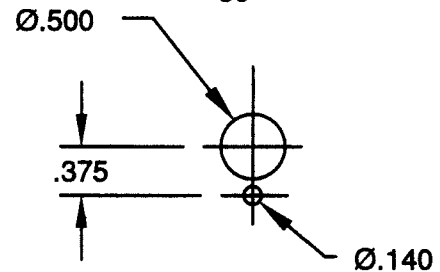
SHOW JUMPERS TO BE SUPPLIED

DECK	CONTACTS	POSITIONS											
		1	2	3	4	5	6	7	8	9	10	11	12
1	L-A		X										
	L-B			X									
	L-C				X								
	L-D					X							
	L-E						X						
	L-F							X					
	L-G								X				
	L-H									X			
	L-I										X		
	L-J											X	
	L-K												X
2	L-A	X	X										
	L-B		X	X									
	L-C			X	X								
	L-D				X	X							
	L-E					X	X						
	L-F						X	X					
	L-G							X	X				
	L-H								X	X			
	L-I									X	X		
	L-J										X	X	
	L-K											X	X

HANDLE POSITIONS

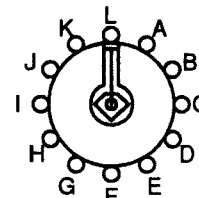


30°

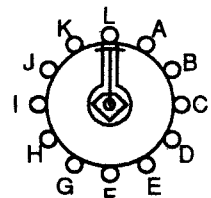


PANEL DRILLING

CONTACT DECKS (PANEL VIEW)



DECK 1 BBM



DECK 2 MBB

MADE BY: **MK** DATE: 02-19-09
 APPR BY: **PM** DATE: 02-19-09

DWG. NO:
SHEET

REVISIONS: A | ECN #29351 | PRW 03/30/09 PM | B | ECN #29386 | B | PM 04/30/09 PM